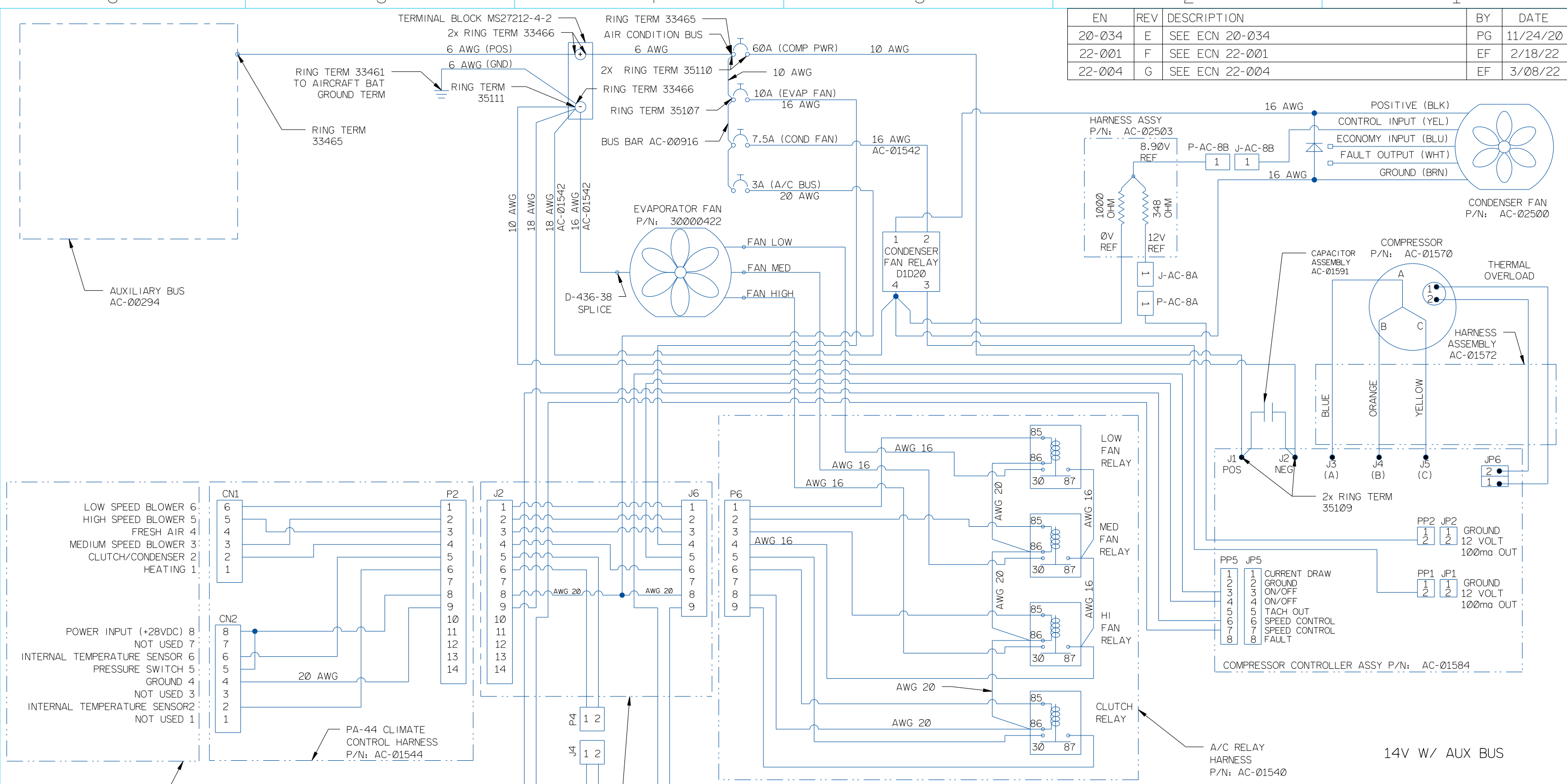


EN	REV	DESCRIPTION	BY	DATE
20-034	E	SEE ECN 20-034	PG	11/24/20
22-001	F	SEE ECN 22-001	EF	2/18/22
22-004	G	SEE ECN 22-004	EF	3/08/22



UNLESS OTHERWISE SPECIFIED

DIMENSIONS ARE IN INCHES AND APPLY AFTER HEAT TREAT AND PLATING
.X = ±.015
.XX = ±.010
.XXX = ±.005
BREAK ALL EDGES AND MACHINE ALL INSIDE CORNER FILLETS .015 MAX.
SURFACE FINISH 125

ANGLES ±1°

THIS DRAWING CONTAINS INFORMATION THAT IS CONFIDENTIAL AND PROPRIETARY TO KELLY AEROSPACE. THIS DRAWING IS FURNISHED ON THE UNDERSTANDING THAT THE DRAWING AND THE INFORMATION IT CONTAINS WILL NOT BE COPIED OR DISCLOSED TO OTHERS EXCEPT WITH THE WRITTEN CONSENT OF KELLY AEROSPACE. WILL NOT BE USED TO THE DETRIMENT OF KELLY AEROSPACE, AND WILL BE RETURNED UPON REQUEST BY KELLY AEROSPACE.

GEOMETRIC SYMBOLS PER ANSI Y14.5

- ▭ FLATNESS
- STRAIGHTNESS
- ROUNDNESS
- ⊘ CYLINDRICITY
- △ PROFILE
- ⊥ PERPENDICULARITY
- ⊕ POSITION
- ◎ CONCENTRICITY
- ≡ SYMMETRY
- ∠ ANGULARITY
- ∥ PARALLELISM
- ↺ CIRCULAR RUNOUT
- ↻ TOTAL RUNOUT

SCALE: NTS

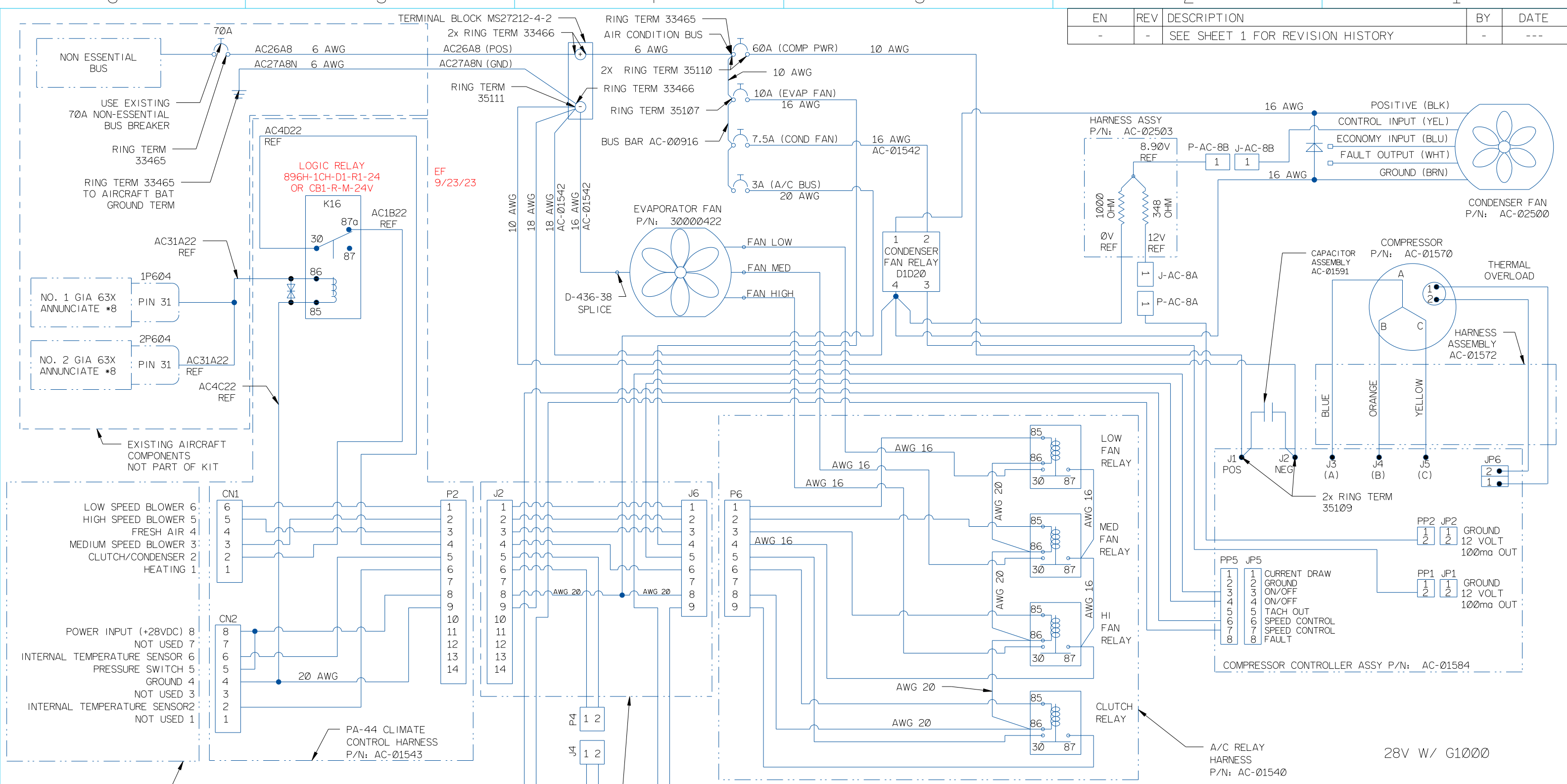
DRAWN	EF	5/04/17
CHECKED	PG	5/04/17
ENG.	JB	5/04/17
FINISH	-	
WEIGHT	-	
MATERIAL	-	
SIZE	SH 1 OF 2	CODE ID 7FUQ0

KELLY AEROSPACE
Thermal Systems
1625 Lost Nation Rd.
Willoughby, OH 44094

PA-44 PIPER SEMINOLE AIR CONDITIONING SCHEMATIC, CB-2

DRAWING NO.	REV.
AC-01537 REDLINE	G

EN	REV	DESCRIPTION	BY	DATE
-	-	SEE SHEET 1 FOR REVISION HISTORY	-	---



UNLESS OTHERWISE SPECIFIED

DIMENSIONS ARE IN INCHES AND APPLY AFTER HEAT TREAT AND PLATING

.X = ±.015
.XX = ±.010
.XXX = ±.005

ANGLES ±1°

BREAK ALL EDGES AND MACHINE ALL INSIDE CORNER FILLETS .015 MAX. SURFACE FINISH 125

THIS DRAWING CONTAINS INFORMATION THAT IS CONFIDENTIAL AND PROPRIETARY TO KELLY AEROSPACE. THIS DRAWING IS FURNISHED ON THE UNDERSTANDING IT CONTAINS WILL NOT BE COPIED OR DISCLOSED TO OTHERS EXCEPT WITH THE WRITTEN CONSENT OF KELLY AEROSPACE. WILL NOT BE USED TO THE DETRIMENT OF KELLY AEROSPACE, AND WILL BE RETURNED UPON REQUEST BY KELLY AEROSPACE.

GEOMETRIC SYMBOLS PER ANSI Y14.5	DRAWN	CHECKED	ENG.	FINISH	WEIGHT	MATERIAL	SIZE	SH	OF	CODE ID	DRAWING NO.	REV.
□ FLATNESS	EF	PG	JB	-	-	-	B	2	2	7FUQ0	AC-01537 REDLINE	G
— STRAIGHTNESS												
○ ROUNDNESS												
⊘ CYLINDRICITY												
△ PROFILE												
⊥ PERPENDICULARITY												
⊕ POSITION												
◎ CONCENTRICITY												
≡ SYMMETRY												
∠ ANGULARITY												
∥ PARALLELISM												
↺ CIRCULAR RUNOUT												
↻ TOTAL RUNOUT												
SCALE:	NTS											

DRAWN	EF	5/04/17
CHECKED	PG	5/04/17
ENG.	JB	5/04/17
FINISH	-	
WEIGHT	-	
MATERIAL	-	
SIZE	SH 2	CODE ID
B	OF 2	7FUQ0
		DRAWING NO.
		AC-01537 REDLINE
		REV.
		G

KELLY AEROSPACE
Thermal Systems
 1625 Lost Nation Rd.
 Willoughby, OH 44094

PA-44 PIPER SEMINOLE
 AIR CONDITIONING
 SCHEMATIC, CB-2

9/29/2023 1 ERIC FARMER